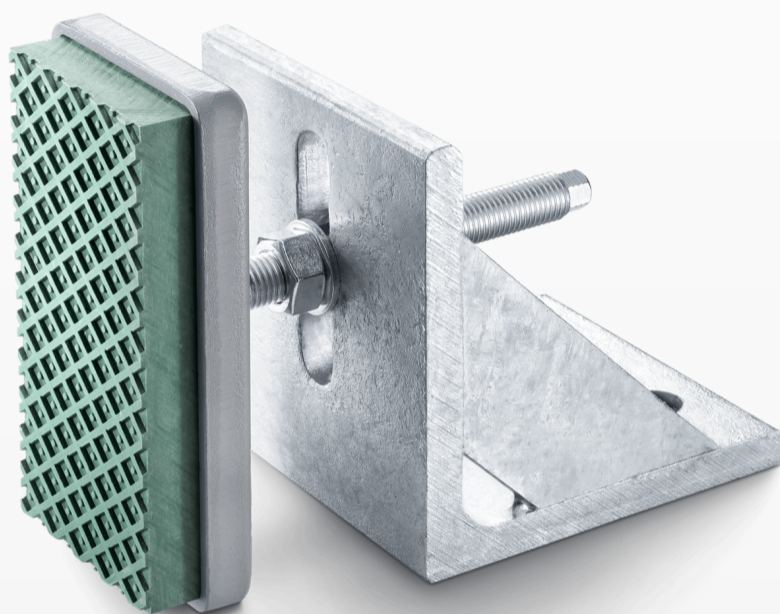


HORIZONTAL ELEMENTS

For machines with high horizontal forces or for lateral linking and fixing.

Request a quote



Description

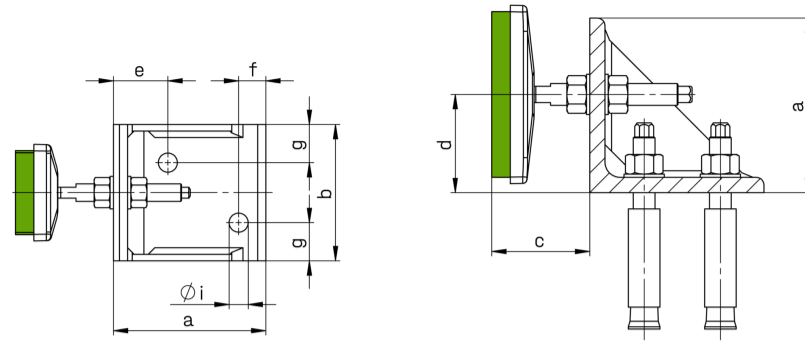
Technical data

TECHNICAL DATA AND VARIANTS

SIZE 1

Type	Item no.	max. load N/pc.	a mm	b mm
Size 1	20-0066	16.500	140	125
c mm	d mm	e mm	f mm	g mm
45	60-115	50	25	35
i mm				
17,5				

Steel angle, levelling element type BNVS 115/5, 3 bolts M16 x 150, 2 anchors M16

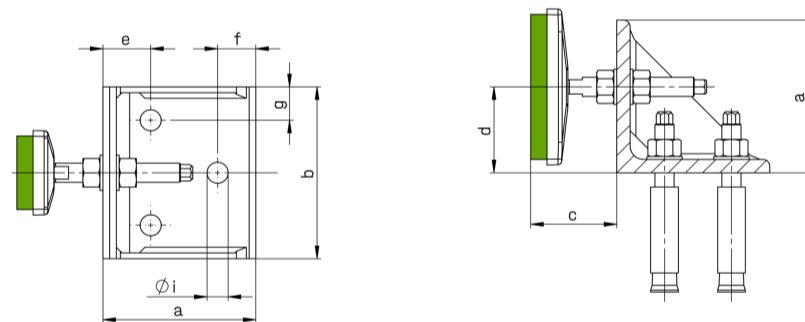


Legend for dimensions Horizontal element size 1

SIZE 2

Type Size 2	Item no. 20-0067	max. load N/pc. 16.500	a mm 160	b mm 180
c mm 55	d mm 60-140	e mm 48	f mm 43	g mm 37
i mm 22				

Steel angle, levelling element type BNVS 115/5, 4 bolts M20 x 150, 3 anchors M20



Legend for dimensions Horizontal element size 2

CONTACT US

HOW MAY WE HELP YOU?

Please contact our responsible sales representative. We look forward to your inquiry and will get back to you as soon as possible!



Subject: Question for Horizontal elements



Country
Germany



Please fill out all fields marked with *

Send a copy to me

I agree that my data will be stored for contact and assignment for possible queries. You can find all information about the handling of your data in our [privacy policy](#). The deletion of your data is possible at any time and can be done by sending a message to the contacts indicated there.



Please enter the characters from the image.