

*Electronic Gauging Solutions Pty Ltd*

**John Ciriacos**

Managing Director

tel : +613 59666590  
fax : +613 59666590  
mob : +61(0)44 908 2561  
e-mail:john@electronicgaugingsolutions.com.au  
www.electronicgaugingsolutions.com.au

440 Little Yarra Road  
Gladysdale , 3797  
Melbourne ,Victoria  
Australia



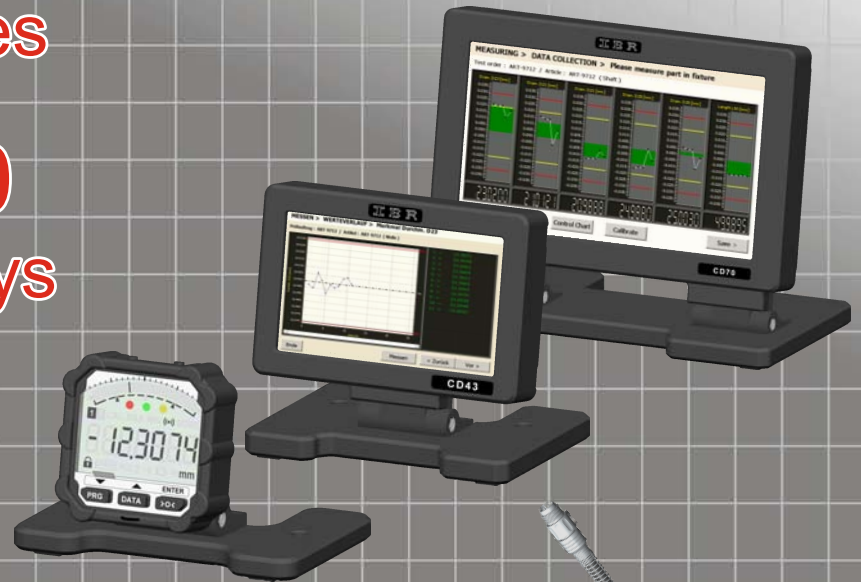
**Messtechnik GmbH & Co. KG**



**IMS**  
measuring probes

**CD43, CD70**  
computer displays

**SD1**  
sensor display



*Electronic Gauging Solutions Pty Ltd*

**John Ciriacos**

Managing Director

tel : +613 59666590  
fax : +613 59666590  
mob : +61(0)44 908 2561  
e-mail:john@electronicgaugingsolutions.com.au  
www.electronicgaugingsolutions.com.au

440 Little Yarra Road  
Gladysdale , 3797  
Melbourne ,Victoria  
Australia

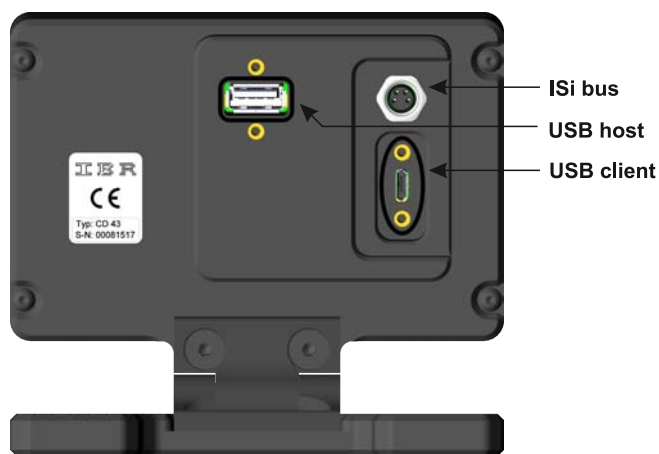


# CD43 computer display for industrial use

The computer display **CD43** is a small and powerful display unit for measuring applications, which cannot be simply solved by using dial gauges. The robust aluminium case as well as a high protection class allow usage in rough manufacturing environment. The new sensor interface ISi bus allows connection of up to 60 measuring probes, sensors, hand- and foot switches. For fast and simple solving of measuring applications as well as for trend display of the production process, the CD43 is delivered with the user-friendly software ComGage Level 1.

## Features

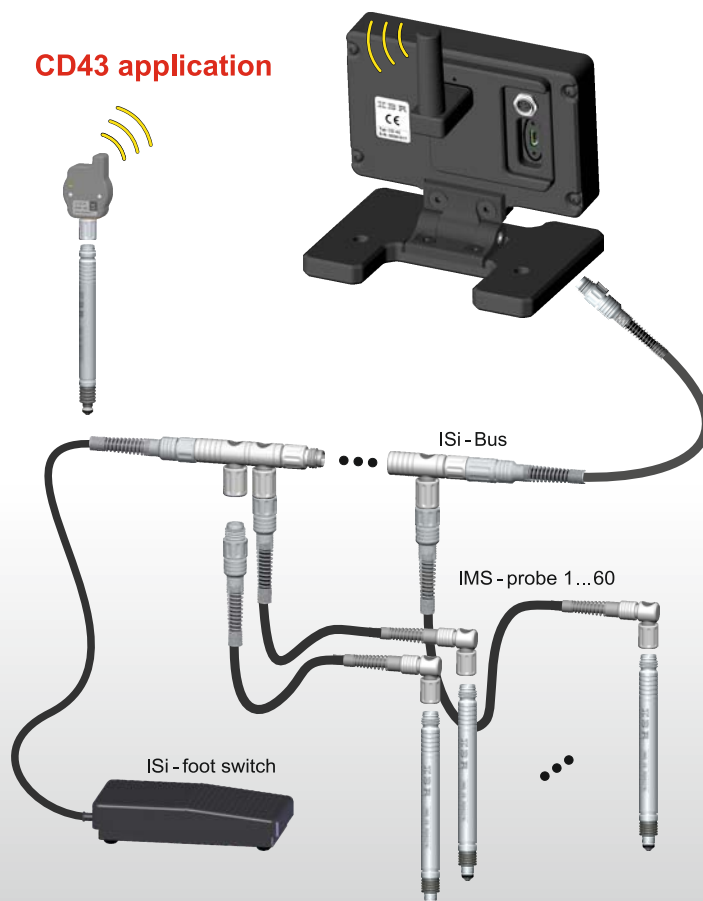
- Compact and robust construction with solid, sealed metal case ( incl. connector caps for IP64 ), passive cooling and 4.3" TFT-Display ( 480 x 272 ) with touch screen, adjustable angle of tilt.
- ISi sensor bus for connecting 1...60 IMS probes, sensors, hand / foot switches, tolerance adapters.
- USB host ( mouse, keyboard, USB stick ) and USB client ( data exchange with PC ).



## Technical data :

Mechanical characteristics	
Case with foot	Aluminium powder-coated
Dimensions / Weight	( WxHxD ) 118 x 95 x 72.5 mm / 420 g
Protection class	Front side IP65, CEI / IEC 529 Rear side IP64 with connector caps
Electrical characteristics	
External power supply	100 ... 240 VAC, 6 Watt
Max. power consumption	1.8 Watt ( without sensors )
Computer characteristics	
Display	4,3" TFT, resolution 480 x 272 ( adjustable angle of tilt )
Touch Screen	4-wire analogue resistive
CPU	Vybrid VF50, 400 MHz
Memory	128 MB RAM, 128 MB Flash
Operating system	Windows CE 6
Measuring software	ComGage Level 1
Connections	
Standard PC connections	1 x USB client, 1 x USB host
ISi interface	60 sensors / clients
Environmental conditions	
Operation / Storage temp.	+41 ... +113 °F / -4 ... +158 °F

## CD43 application

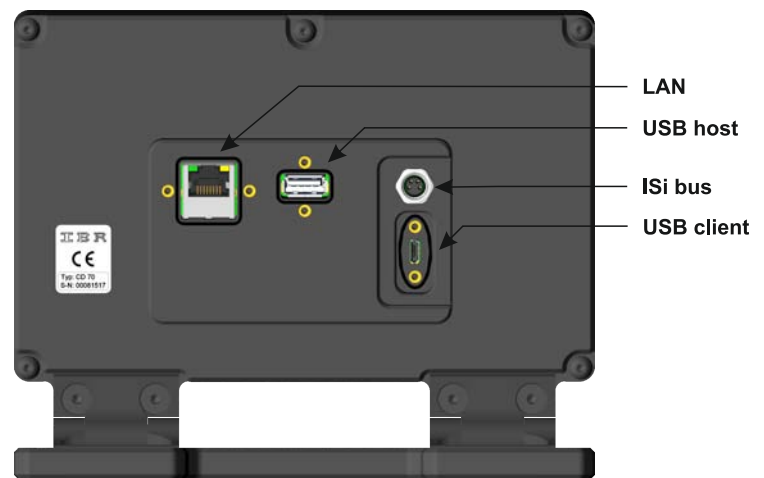
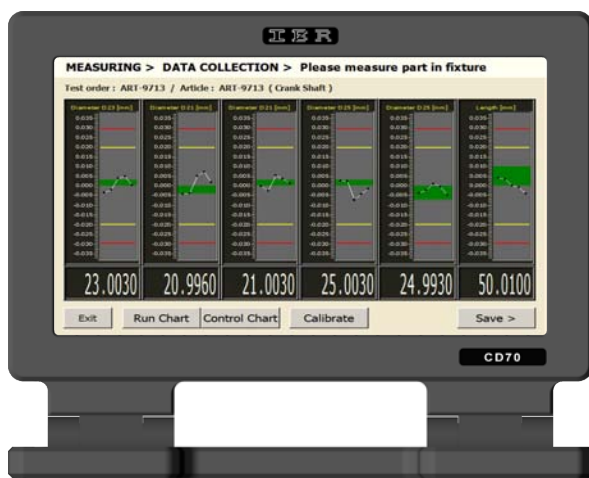


# CD70 computer display for industrial use

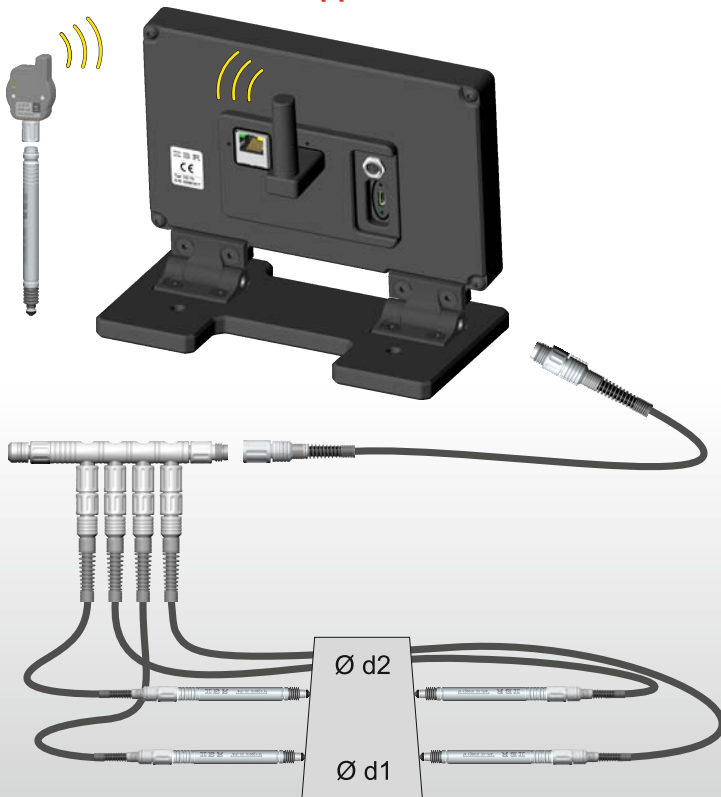
The computer display **CD70** is a compact and powerful display unit for measuring applications, which cannot be simply solved by classic gauges like e.g. column gauges and digital gauges. The robust aluminium case as well as a high protection class allow usage in rough manufacturing environment. The new sensor interface ISi bus allows connection of up to 60 measuring probes, sensors, hand- and foot switches. For fast and simple solving of measuring applications as well as for trend display of the production process, the CD70 is delivered with the user-friendly software ComGage Level 1. An upgrade to ComGage Level 2 is possible.

## Features

- Compact and robust construction with solid, sealed metal case ( incl. connector caps for IP64 ), passive cooling and 7.0" TFT-Display ( 800 x 480 ) with touch screen, adjustable angle of tilt.
- ISi sensor bus for connecting 1...60 IMS probes, sensors, hand / foot switches, tolerance adapters.
- USB host ( mouse, keyboard, USB stick ), USB client ( data exchange with PC ) and LAN connection.



## CD70 application



## Technical data :

Mechanical characteristics	
Case with foot	Aluminium powder-coated
Dimensions / Weight	( WxHxD ) 184 x 135 x 87.5 mm / 1.0kg
Protection class	Front side IP65, CEI / IEC 529 Rear side IP64 with connector caps
Electrical characteristics	
External power supply	100 ... 240 VAC, 6 Watt
Max. power consumption	2.4 Watt ( without sensors )
Computer characteristics	
Display	7.0" TFT, resolution 800 x 480 ( adjustable angle of tilt )
Touch Screen	4-wire analogue resistive
CPU	Vybrid VF50, 400 MHz
Memory	128 MB RAM, 128 MB Flash
Operating system	Windows CE 6
Measuring software	ComGage Level 1 / ComGage Level 2
Connections	
Standard PC connections	1x USB client, 1x USB host, 1x LAN
ISi interface	60 sensors / clients
Environmental conditions	
Operation / Storage temp.	+41 ... +113 °F / -4 ... +158 °F

# ComGage Level 1 / Level 2

The software **ComGage Level 1 / Level 2** are universal programmes for fast solving of measuring applications. The software is easy to handle and is optimized especially for the computer displays CD43 and CD70 with touch operation.

## Features

	ComGage Level 1	ComGage Level 2
Number of characteristics / Number of measuring inputs	8 / 60	20 / 60
Measurement of characteristics in freely definable groups with additional input of operator instructions	✓	✓
Input of formula for probe mixing ( Support of all arithmetical and trigonometrical functions )	✓	✓
Static measuring mode with live display, as well as dynamic measuring modes : Min, Max, TIR, Mean, ...	✓	✓
Input of measuring value by touch / keyboard	✓	✓
Export functions for collected measuring values	xls, csv	xls, csv, QDAS
Reference information data input together with measuring values ( Operator, Machine, ... )		✓
Trend display for collected measuring values (= run chart)	✓	✓
Statistical analysis by control charts, histograms, Cp/Cpk		✓
Control tasks by digital inputs / outputs as well as measuring value output via RS232 / radio modules	simple	advanced
Compatible to ComGage Professional	✓	✓

## Image : Programming of characteristics

Select characteristic parameter group

Programme characteristic parameters

## Image : Windows for data collection ( Test sequence )

**MEASURING > DATA COLLECTION > Please measure part in fixture**  
Test order: ART-9713 / Article: ART-9713 ( Crank Shaft )

**MEASURING > DATA COLLECTION > Please enter weight of part**  
Test order: ART-9713 / Article: ART-9713 ( Crank Shaft )

**MEASURING > Confirm measuring data of part**  
Test order: ART-9713 / Article: ART-9713 ( Crank Shaft )

Characteristic	Unit	Target	Upper	Lower	Measured
1 Diameter D23	mm	23.0000	0.0300	-0.0300	23.0030
2 Diameter D21	mm	21.0000	0.0300	-0.0300	20.9960
3 Diameter D21	mm	21.0000	0.0300	-0.0300	21.0030
4 Diameter D25	mm	25.0000	0.0300	-0.0300	25.0030
5 Diameter D25	mm	25.0000	0.0300	-0.0300	24.9930
6 Length	mm	50.0000	0.0300	-0.0300	50.0100
7 Weight	g	1200.0000	5.0000	-5.0000	1205.1000

### Description of 1st window

In the test sequence 6 characteristics of the component are initially measured together in a measuring fixture. The operator receives the corresponding instructions via window headline.

### Description of 2nd window

In the second step of the test sequence the operator must weigh the component and enter the measuring value by touch.

### Description of 3rd window

In the last step of the test sequence the operator can see a complete summary of all characteristics of the measured component and can now decide, whether the measuring values shall be stored inside the database.